

Superior Air Performance

Standard Construction

Frame

4" x .081"(102 x 2.1) Extruded Aluminum
(6063-T5)

Blades

Drainable Style Blades, .081"(2.1) Extruded Aluminum (6063-T5) at a 39° blade angle with approximately 4"(102) blade spacing

Finishes

MILL

Penthouse Size Limits

MAX. INSIDE CURB DIMENSION (LENGTH OR WIDTH) 108"[2743]

MAX. HEIGHT ABOVE CURB 73.06"[1754]

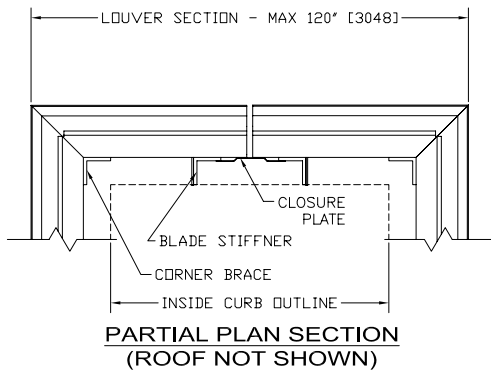
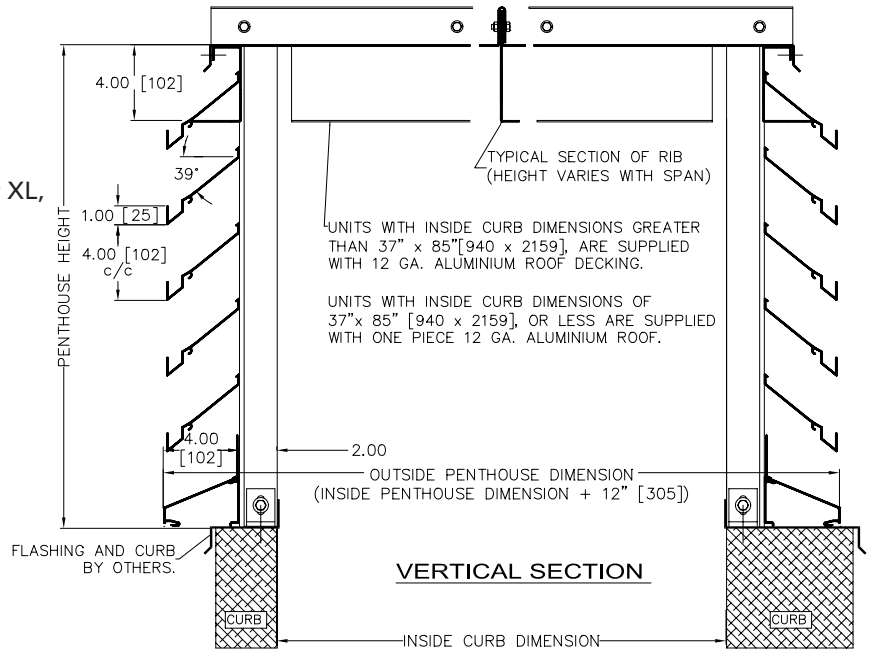
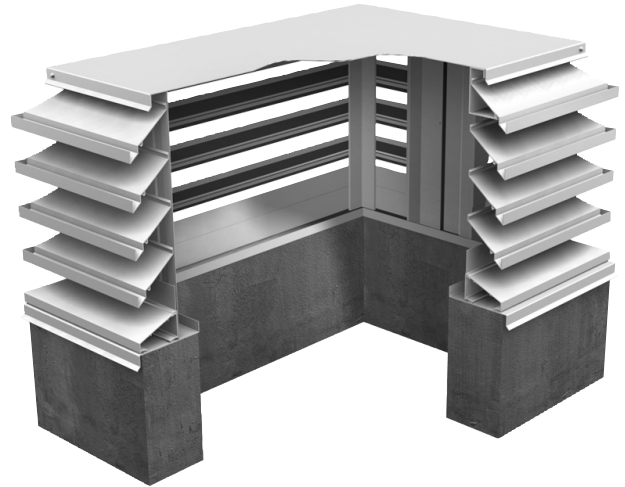
MIN. INSIDE CURB DIMENSION (LENGTH OR WIDTH) 16"[406]

MIN. HEIGHT ABOVE CURB 13.06"[331]

PENTHOUSE HEIGHT = MULTIPLES OF 4"[102] + 13.06"[331]

Available Options

- Extended Sill (loose) 14 GA. Aluminum
- Variety of Bird & Insect Screens
- Wide variety of Finishes including:
Baked Enamel, Prime Coat, Duranar & Duranar XL, Clear & Colour Anodize
- Roof Curb
- * Select from PRICE Colour Chart or provide Colour sample to match



ALL-WELDED CONSTRUCTION



PROJECT			CUSTOMER			
ARCHITECT			ENGINEER			
SPEC. SYMBOL			DATE			
QTY	TAG	INSIDE CURB DIMENSION			OPTIONS	UNITS: <input type="checkbox"/> IMPERIAL <input type="checkbox"/> METRIC
		LENGTH	WIDTH	HEIGHT		